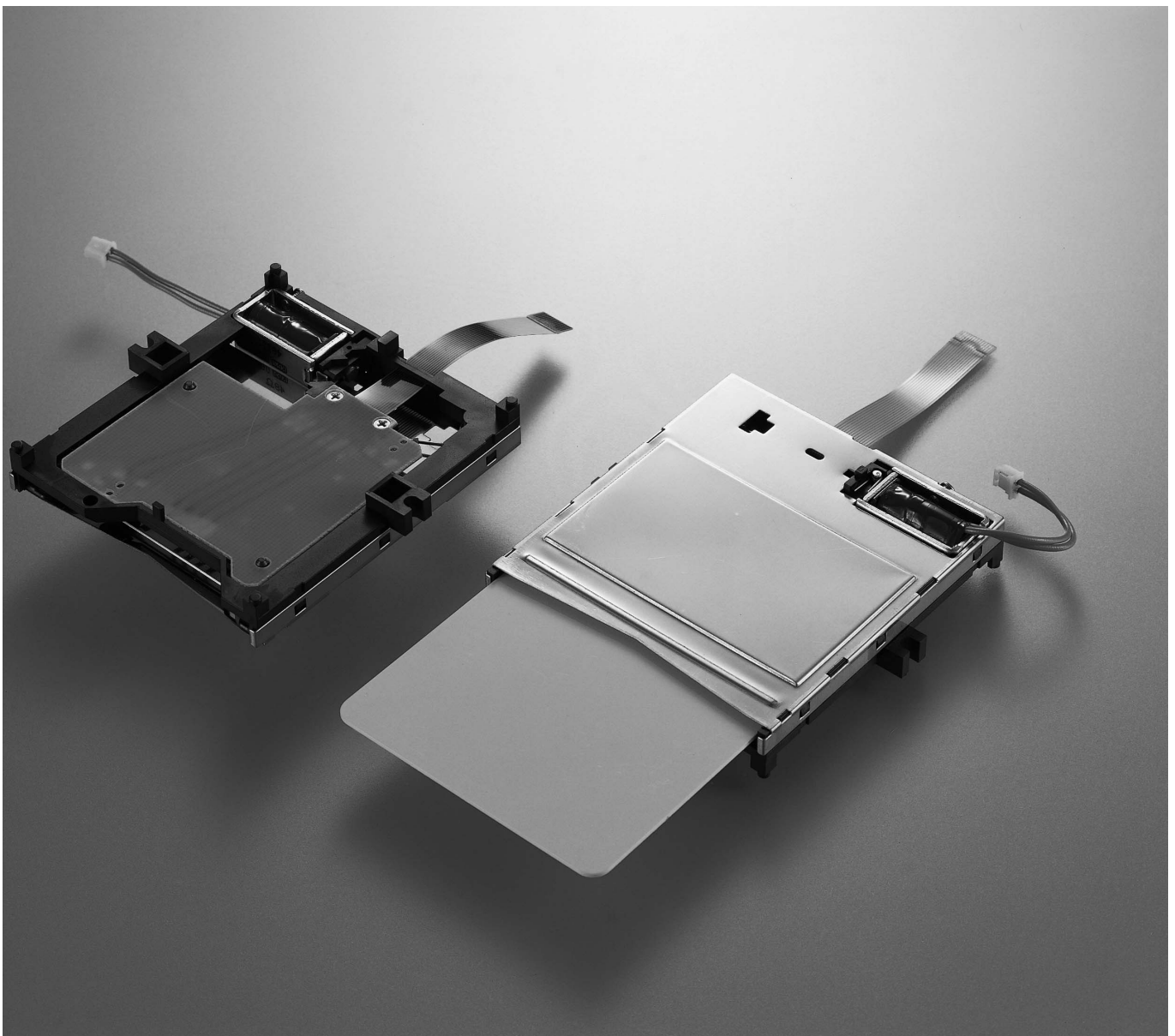
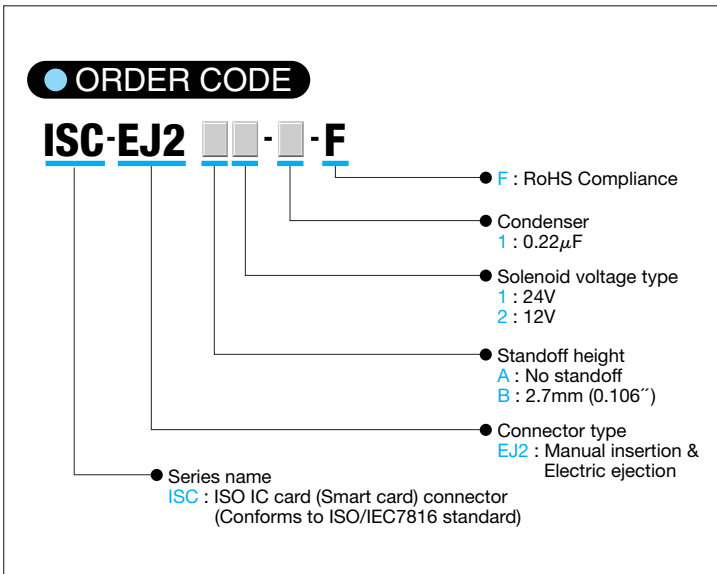
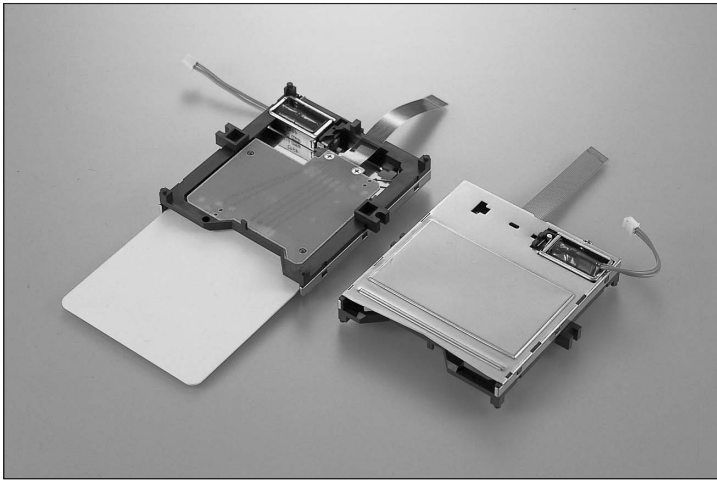


**ISO / IEC-7816 Standard Connector
IC Card (Smart Card) Reader / Writer Unit with Electromotive
Ejector Solenoid Type**

ISC-EJ2 SERIES





FEATURES

- Conforms to ISO/IEC 7816 standard
- Designed with landing contact type and high durability for insertion/removal
- Card is ejected by solenoid and spring (Manual insertion)
- Card slides with inside connector (KEL ISC3-08S) in/out of the unit during insertion/removal to ensure sufficient grabbing space for fingers, even if card is misinserted (upside down) or jams (Easy to remove the card without damage)
- Card is held in place by unit using contact holding force to prevent accidental ejection
- Two mount-height types, 8.5mm (0.335") and 11.2mm (0.441") are available
- Provided with two card location switches and one card detection switch
- 14 contacts (8 contacts for card, 4 contacts for card location switches and 2 contacts for card detection switch) for the I/O terminal on FPC
- RoHS compliance

SPECIFICATIONS

Outside Unit

- Insulator material : Base ; Glass-filled polyacetal, Black
Cap ; Polyacetal, Black
Block ; Polyacetal, Black
- Cover material : Stainless steel
- Helical Torsion Spring : Stainless steel

Inside Connector (KEL ISC3-08S-F)

- Insulator material : Base ; Glass-filled LCP (UL 94V-0), Black
Cover ; Glass-filled PPS (UL 94V-0), Black
- Contact material : Copper alloy
- Contact plating : Contact area ; 0.38μm min. Gold over Nickel
Terminal area ; 0.03μm min. Gold over Nickel
- Detection switch : Copper alloy
- Detection switch plating :
Contact area ; 0.38μm min. Gold over Nickel
Terminal area ; 0.03μm min. Gold over Nickel

Electrical specification (Solenoid)

- Solenoid operating voltage : 24V DC
(0.5A Resistance 48Ω±7%)
12V DC
(1A Resistance 12Ω±7%)
- Solenoid duty cycle {ON time/ (ON time +OFF time)×100}
: 10% max. at 12W

* ON time (Operation of card ejection) must be 0.5 sec. or less

- Dielectric withstanding voltage : 500V AC for 1 minute
- Insulation resistance : 100MΩ min. at 250V DC
- Operating temperature : -5°C to +45°C
(No condensation)
- Storage temperature : -20°C to +70°C
(No condensation)

